



SPECIFICATIONS

1 General

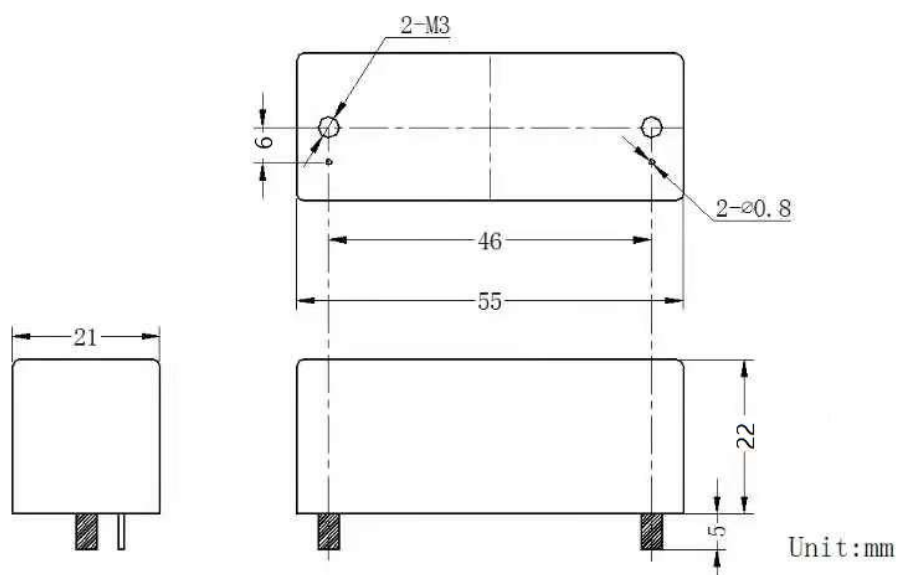
Part Number	Description
63.078M12C50	63.078MHz crystal filter, DIP package

2 Revision History

Revision	Released	Revision Detail
R1	2021-1-4	Initial release
R2	2021-3-10	Package changed, blocking capacitor

3 Electrical Specification

Item	Typical
Nominal Frequency (Fc, MHz)	63.078.0
Insertion Loss (dB)	≤5.5
Ripple Within Pass Band (Fc±4kHz, dB)	≤0.5
Bandwidth at -3dB (kHz)	≥±6
Bandwidth at 60dB Attenuation (kHz)	≤±20
Attenuation (Fc±1000kHz, dB)	≥70
Spurious Response (dB)	≤-60
Input Level (dBm)	≤+10
I/O Impedance (Ω//pF, blocking capacitor)	50//4.7
Operation Temperature (°C)	-25 ~ 75
Storage Temperature (°C)	-40 ~ +80
Package Size (LxWxH, mm)	55x21x22





深圳市维创电子技术有限公司

Wavetronics Technologies Co., Ltd.

深圳市南山区南光路东华园 5 栋 503

Tel: +86-755-86391313 Fax: +86-755 28947279

E-mail: sales@wtt.cn Web: www.wtt.cn
